

# SERVICE FIRE DOORS



Nike Headquarters - Portland, Oregon

## Fire Doors for any Application

The Cookson Company is the industry leader for fire door and fire door systems, offering a complete line of automatic resetting fire doors. Whatever the application, Cookson has the right fire door and fire door system.

## Auto-Test™ Fire Door Systems

Cookson's Auto-Test Fire Door Systems reset automatically after being tested or actuated by smoke detectors or building alarm systems. Once the alarm has been cleared the fire door system automatically resets and is ready for the next test or actuation. Auto-Test Fire Door Systems eliminate the need for a trained technician to test and reset the fire door, thus reducing testing and operating costs.

## Simple-Test™ Fire Doors

This group of fire doors automatically closes upon fuselink activation without releasing spring tension or disengaging the operator drive mechanism. Simple system reset by reconnecting the fuselink after the door has been tested or actuated. Available in Chain, Crank, and Motor operation, Cookson's economical Simple-Test Fire Doors save time and money on testing and resetting costs.

*Push up operation is also available. This conventional system releases spring tension and requires mechanical resetting.*

## Smoke Control

Tested in accordance with UL 1784 Air Leakage Test for Door Assemblies, these doors are designed to obstruct the spread of smoke from one area of a building to another. Cookson smoke labeled fire doors meet NFPA 105 criteria for Installation of Smoke Control Door Assemblies and bear a UL label. Protect property and lives with a Cookson smoke labeled door.

## Fire Door Actuation

One of the primary functions of a fire door is to limit the damage caused by a fire. In order to limit damage, The Cookson Company recommends the use of its Auto-Test Fire Door System which connects directly to a central building alarm system or independent smoke detector. This is the best application because the door is signaled of a fire situation faster and is more aesthetically pleasing than conventional designs. Simple Test Fire Doors are fuselink actuated but can be tied into an alarm or smoke detector with the addition of a releasing device.

## Exceptional 2-Year Warranty

The Cookson Company guarantees its products from defects in materials and workmanship for a period of two years from the date of factory shipment. The finest quality materials have been assembled by trained craftsmen to the exacting specifications of our design engineers producing a rolling fire door unsurpassed by other manufacturers. Should service fire door parts be required, they are available from plants located on the east or west coast.

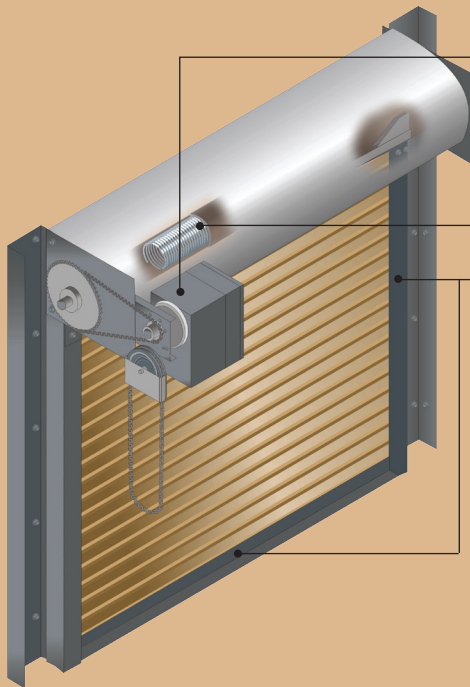


**The Cookson Company, Inc.**

Dimensions shown are for initial design. For final design, specifications, and to view the complete Cookson Product line, visit [cooksondoor.com](http://cooksondoor.com).

# THE PREFERRED

## ROLLING FIRE DOOR



- Internal Planetary Gearing controls automatic closing speed not to exceed 9 inches per second (Auto-Test Motor) and 12 inches per second (Simple-Test Chain and Crank, Auto-Test Chain and Crank, Auto-Test Tube Motor)
  - Oil tempered torsion springs designed for 50,000 life cycles
  - Structural Angle Guides and Bottom Bar make doors less vulnerable to damage that could prevent the doors from fully closing
- Available for 4 hour, 3 hour, 1½ hour and ¾ hour ratings
- Approved for all wall types (concrete, masonry, structural steel, structural steel with gypsum board)
- Auto-Test Doors do not require resetting
- Simple-Test Doors are easily reset by replacing fuselinks

### Choice of Finishes

- FinalCote™  
(Standard) (Tan, White, or Gray)
- ColorCote™  
180 Standard Colors (Optional)  
Unlimited Custom Colors (Optional)
- Stainless Steel #4 Polish

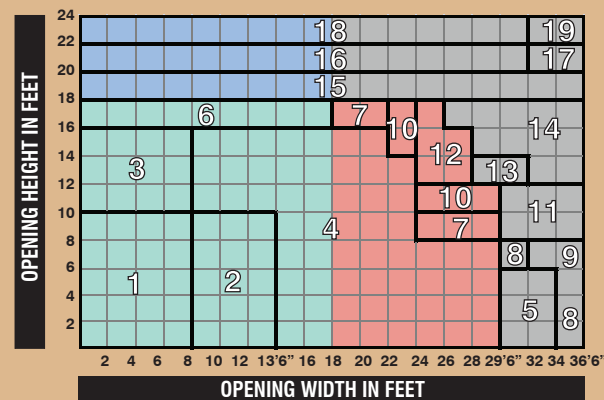
COMPONENT DIMENSIONS				
AREA	A	B	C	D
1	13.0"	14.0"	6.0"	9.5"
2	13.0"	14.0"	6.5"	9.5"
3	15.0"	16.0"	6.0"	9.5"
4	15.0"	16.0"	6.5"	9.5"
5	15.0"	16.0"	9.5"	9.5"
6	16.0"	17.0"	6.0"	9.5"
7	16.0"	17.0"	6.5"	9.5"
8	16.0"	17.0"	9.5"	9.5"
9	16.0"	17.0"	12.5"	12.5"
10	18.0"	19.0"	6.5"	9.5"
11	18.0"	19.0"	12.5"	12.5"
12	20.0"	21.0"	6.5"	9.5"
13	20.0"	21.0"	9.5"	9.5"
14	22.0"	23.0"	9.5"	9.5"
15	22.0"	23.0"	12.5"	12.5"
16	24.0"	25.0"	9.5"	9.5"
17	24.0"	25.0"	12.5"	12.5"
18	26.0"	27.0"	9.5"	9.5"
19	26.0"	27.0"	12.5"	12.5"

### FIRE DOOR DIMENSIONS

DOOR Width to:	DOOR Height to:	DIMENSIONS		
		W	X	Y
8'	16'	2.5"	2.5"	2.5"
8'	18'	2.5"	2.5"	3.0"
10'	16'	2.5"	3.0"	2.5"
10'	18'	2.5"	3.0"	3.0"
12'	16'	2.5"	3.0"	2.5"
12'	18'	2.5"	3.0"	3.0"
13'6"	16'	2.5"	3.0"	2.5"
13'6"	18'	2.5"	3.0"	3.0"
16'	16'	2.5"	3.0"	2.5"
16'	18'	2.5"	3.0"	3.0"
18'	16'	2.5"	3.0"	2.5"
18'	18'	2.5"	3.0"	3.0"
20'	16'	2.5"	3.0"	2.5"
20'	18'	3.0"	3.0"	3.0"
22'	16'	2.5"	3.0"	2.5"
22'	18'	3.0"	3.0"	3.0"
24'	16'	2.5"	3.0"	2.5"
24'	18'	3.0"	3.0"	3.0"
26'	08'	2.5"	3.0"	2.5"
26'	10'	3.0"	3.0"	3.0"
26'	16'	3.0"	3.0"	3.5"
26'	18'	3.0"	3.0"	4.0"
28'	08'	2.5"	3.0"	2.5"
28'	10'	3.0"	3.0"	3.0"
28'	16'	3.0"	3.0"	3.5"
29'6"	08'	2.5"	3.0"	2.5"
29'6"	10'	3.0"	3.0"	3.0"
29'6"	12'	3.0"	3.0"	3.5"
32'	14'	6.0"	6.0"	4.0"
32'	24'	5.0"	6.0"	5.0"
34'	14'	6.0"	6.0"	4.0"
34'	24'	5.0"	6.0"	5.0"
36'6"	14'	6.0"	6.0"	4.0"
36'6"	24'	5.0"	6.0"	5.0"

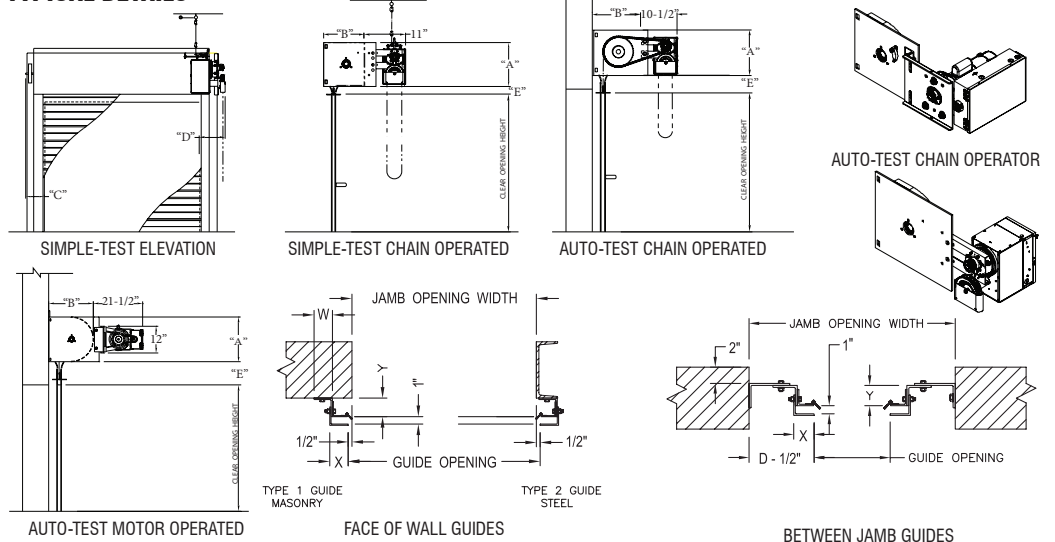
Dimensions shown are based on slat and gauge selection from the typical details chart and do not reflect all available options. Please consult our Architectural Design Support team for more specific information.

### DIMENSIONS FOR TYPICAL DETAILS



- #5 Slat 22 GA Chain
- #5 Slat 20 GA Chain
- #4 Slat 18 GA Chain
- #4 Slat 18 GA Motor

### TYPICAL DETAILS



\*E = 2-1/2" Standard; 3-1/2" with astragal;  
5-1/2" with Featheredge

P.O. Box 23880  
Phoenix, AZ 85063

Phone: (800) 390-8590  
Fax: (866) 448-6804



**The Cookson Company, Inc.**

Visit our website at [Cooksondoor.com](http://Cooksondoor.com)  
Or e-mail us at [Marketing@Cooksondoor.com](mailto:Marketing@Cooksondoor.com)  
[Facebook.com/The.Cookson.Company](https://www.facebook.com/The.Cookson.Company)

© 2012