



ADPARTS@SBCGLOBAL.NET

RECYCLED PARTS REQUESTED: 2-DOOR UNIBODY FORM

CALL : 414-643-1189

FAX : 414-643-0669

450 SO. 11th STREET

MILWAUKEE, WI 53204

To \_\_\_\_\_ From \_\_\_\_\_

Contact person \_\_\_\_\_ Contact person \_\_\_\_\_

Phone # \_\_\_\_\_ Fax # \_\_\_\_\_ Date \_\_\_\_\_

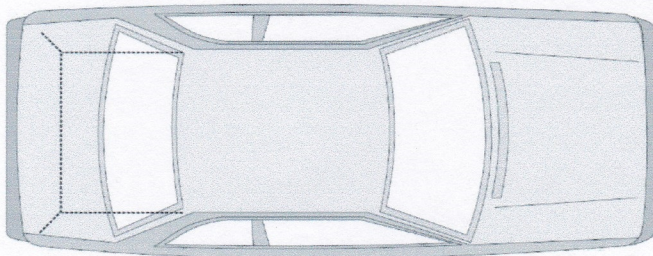
Year \_\_\_\_\_ Make \_\_\_\_\_ Model \_\_\_\_\_

VIN # \_\_\_\_\_ Build Date \_\_\_\_\_

P.O. # \_\_\_\_\_ Please sign here \_\_\_\_\_

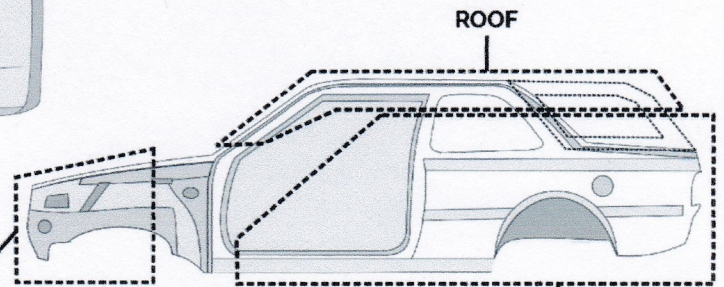
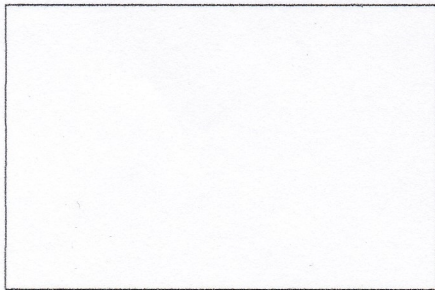
**Disclaimer: All cuts are sold AS IS, no returns**

IMPORTANT: Standard cuts are marked below, there may be a surcharge on larger cuts. Signing above confirms you understand our no return policy



TOP VIEW

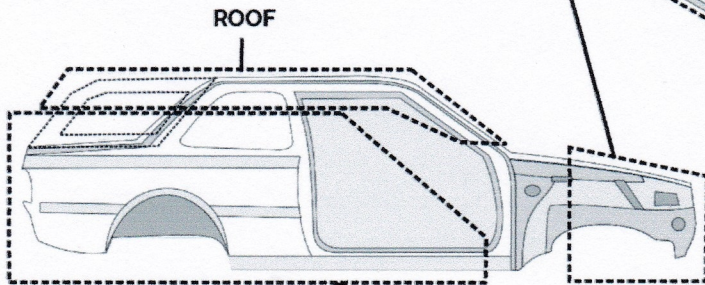
Cut Sheet Additional Notes



DRIVER SIDE

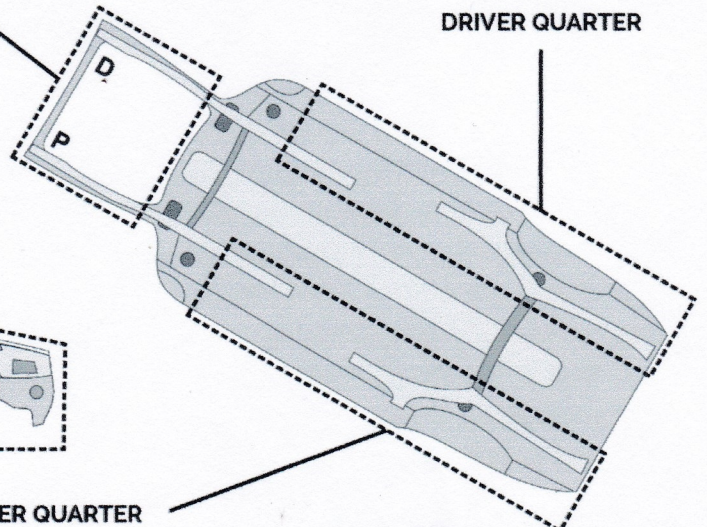
FRONT INNER STRUCTURE

DRIVER QUARTER



PASSENGER SIDE

PASENGER QUARTER



BOTTOM VIEW