



ADPARTS@SBCGLOBAL.NET

RECYCLED PARTS REQUESTED: 4 - DOOR UNIBODY

CALL : 414-643-1189

FAX : 414-643-0669

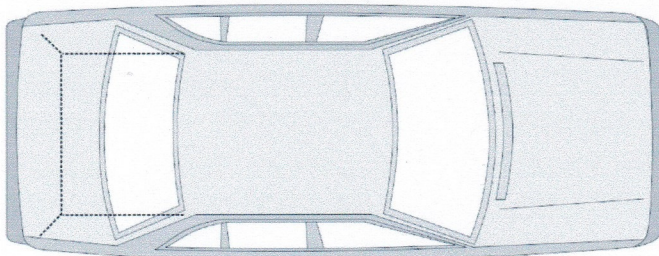
450 SO. 11th STREET

MILWAUKEE, WI 53204

To _____ From _____
 Contact person _____ Contact person _____
 Phone # _____ Fax # _____ Date _____
 Year _____ Make _____ Model _____
 VIN # _____ Build Date _____
 P.O. # _____ Please sign here _____

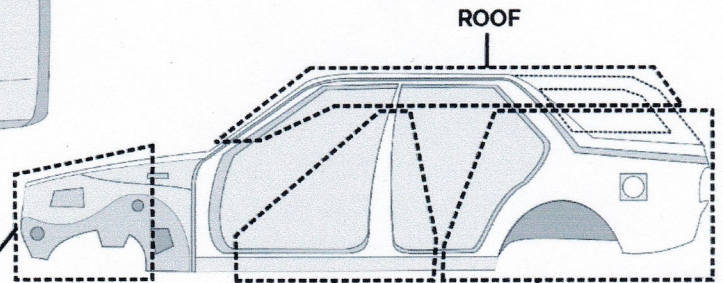
Disclaimer: All cuts are sold AS IS, no returns

IMPORTANT: Standard cuts are marked below, there may be a surcharge on larger cuts. Signing above confirms you understand our no return policy.



TOP VIEW

Cut Sheet Additional Notes



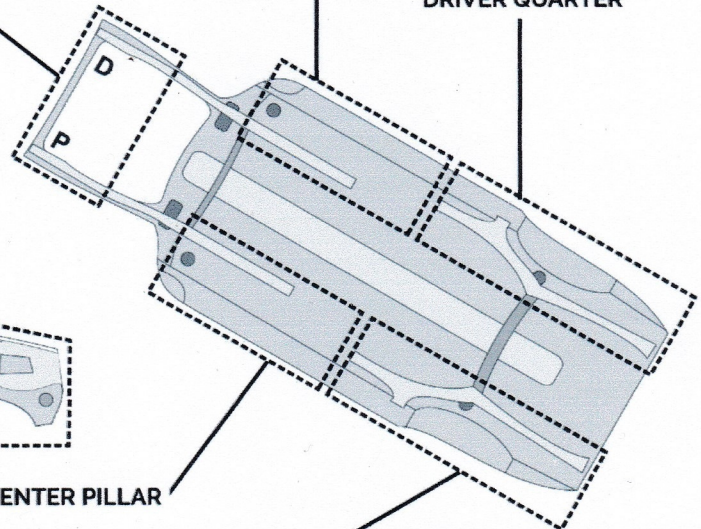
ROOF

DRIVER SIDE

CENTER PILLAR

DRIVER QUARTER

FRONT INNER STRUCTURE



ROOF

PASSENGER SIDE

CENTER PILLAR

PASSENGER QUARTER

BOTTOM VIEW