



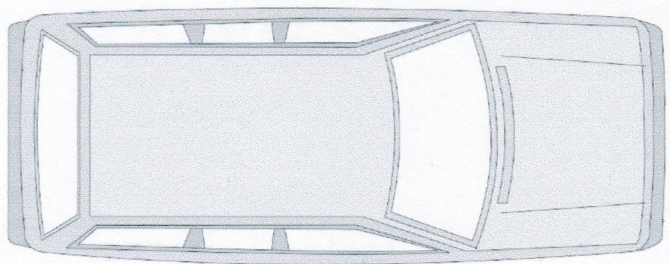
RECYCLED PARTS REQUESTED: MINIVAN FORM

CALL : 414-643-1189 FAX : 414-643-0669
450 SO. 11th STREET MILWAUKEE, WI 53204

To _____ From _____
 Contact person _____ Contact person _____
 Phone # _____ Fax # _____ Date _____
 Year _____ Make _____ Model _____
 VIN # _____ Build Date _____
 P.O. # _____ Please sign here _____

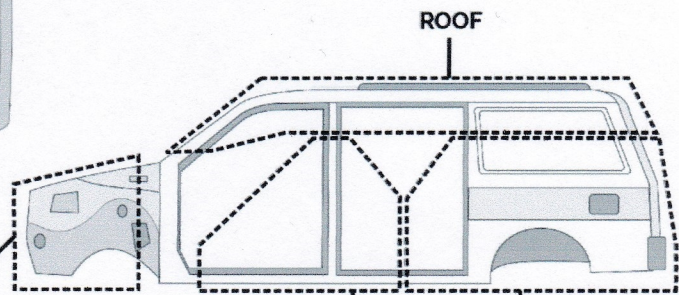
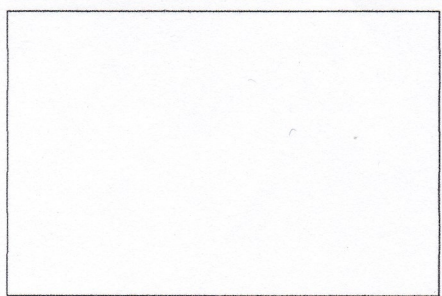
Disclaimer: All cuts are sold AS IS, no returns

IMPORTANT: Standard cuts are marked below, there may be a surcharge on larger cuts. Signing above confirms you understand our no return policy



TOP VIEW

Cut Sheet Additional Notes



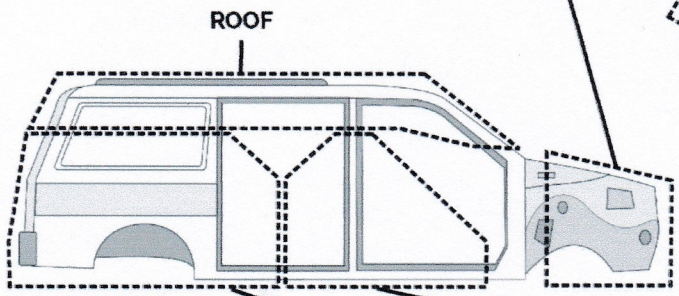
ROOF

DRIVER SIDE

FRONT INNER STRUCTURE

CENTER PILLAR

DRIVER QUARTER

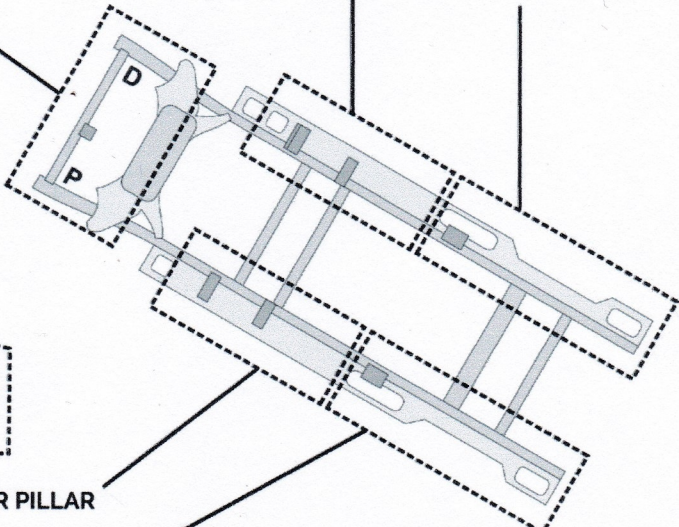


ROOF

PASSENGER SIDE

CENTER PILLAR

PASSENGER QUARTER



BOTTOM VIEW