



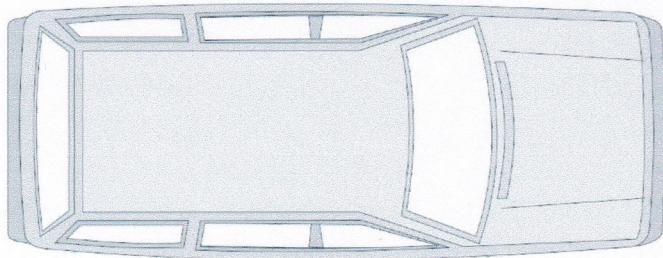
RECYCLED PARTS REQUESTED: SUV FORM

**CALL : 414-643-1189      FAX : 414-643-0669**  
**450 SO. 11th STREET      MILWAUKEE, WI 53204**

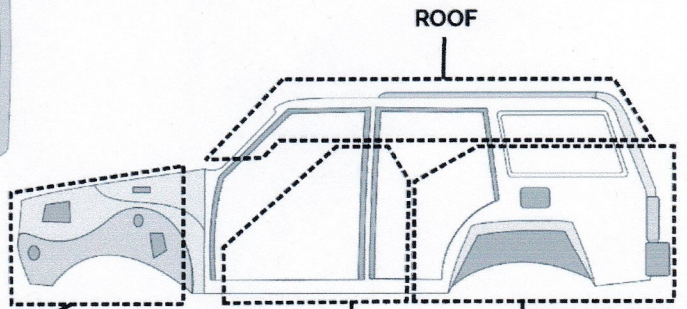
To \_\_\_\_\_ From \_\_\_\_\_  
 Contact person \_\_\_\_\_ Contact person \_\_\_\_\_  
 Phone # \_\_\_\_\_ Fax # \_\_\_\_\_ Date \_\_\_\_\_  
 Year \_\_\_\_\_ Make \_\_\_\_\_ Model \_\_\_\_\_  
 VIN # \_\_\_\_\_ Build Date \_\_\_\_\_  
 P.O. # \_\_\_\_\_ Please sign here \_\_\_\_\_

***Disclaimer: All cuts are sold AS IS, no returns***

**IMPORTANT:** Standard cuts are marked below, there may be a surcharge on larger cuts.  
 Signing above confirms you understand our no return policy.



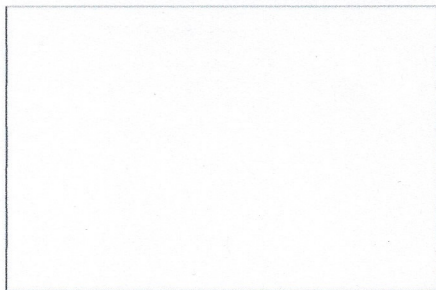
TOP VIEW



ROOF

DRIVER SIDE

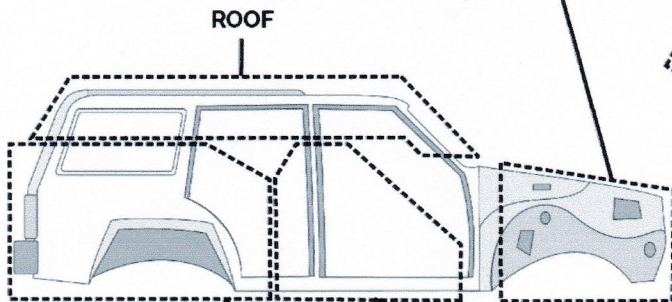
Cut Sheet Additional Notes



FRONT  
INNER  
STRUCTURE

CENTER PILLAR

DRIVER QUARTER

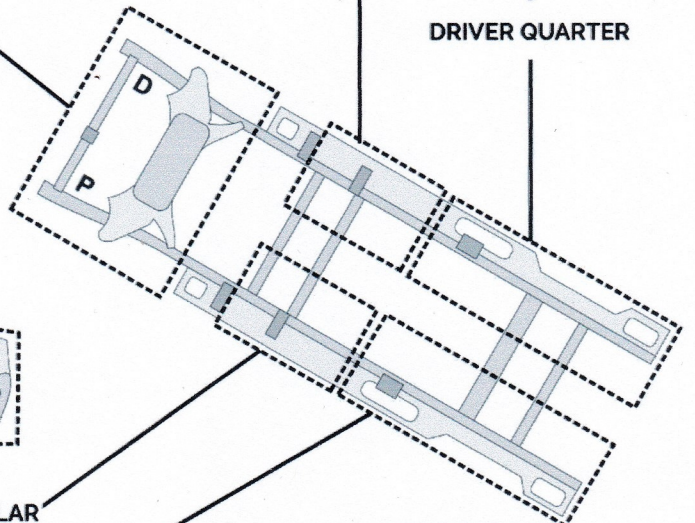


ROOF

PASSENGER SIDE

CENTER PILLAR

PASSENGER QUARTER



BOTTOM VIEW